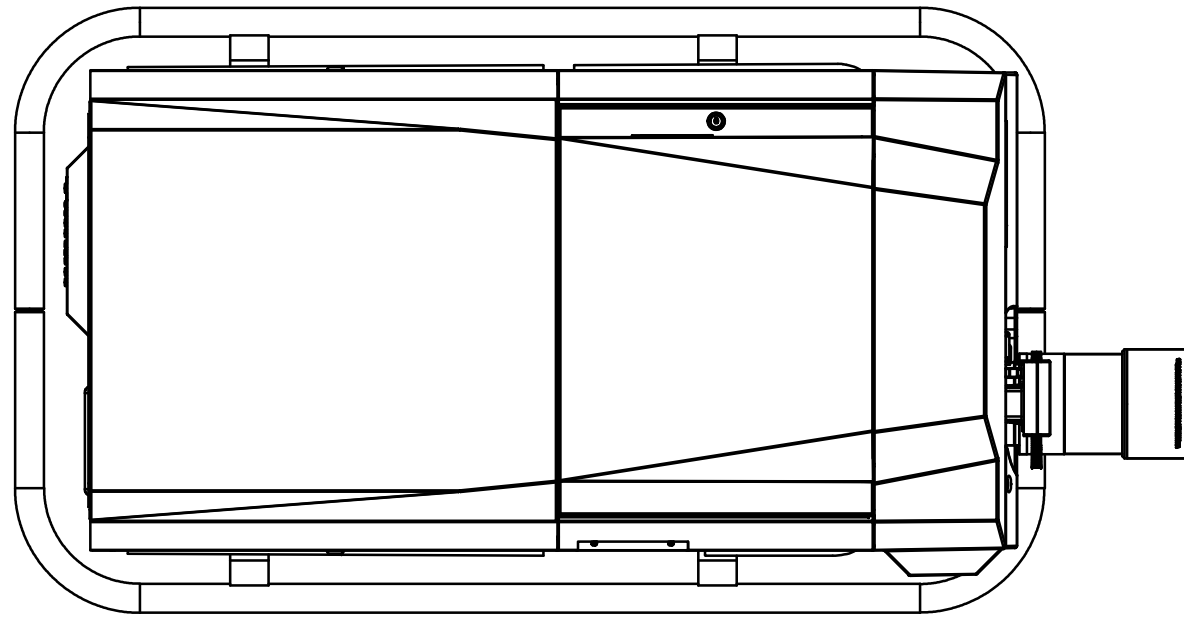
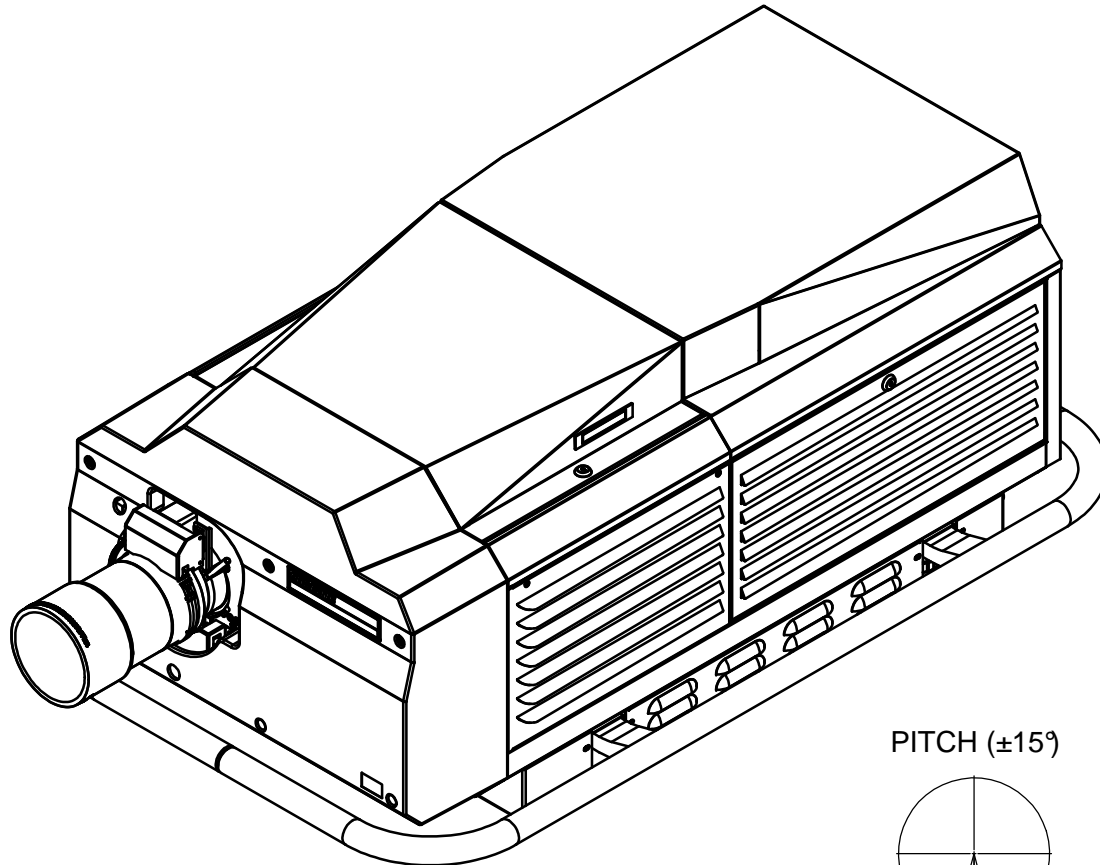


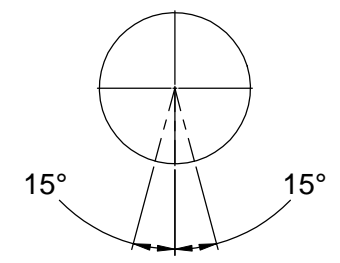
REV	DESCRIPTION OF CHANGE	BY	REV DATE
01	INITIAL RELEASE	SI	5/26/2009
02	UPDATE NOTES/CORRECT AMBIENT TEMP.	SI	11/4/2009
03	ADDED EXHAUST DUCT & FRED FRAME ACCESSORIES	LP	4/12/2010



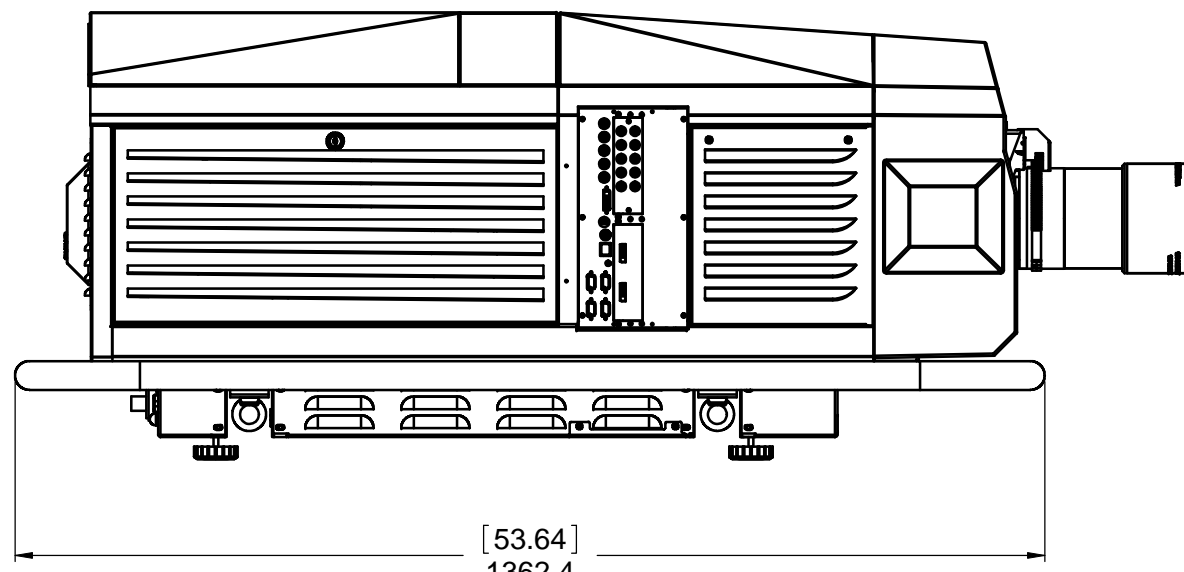
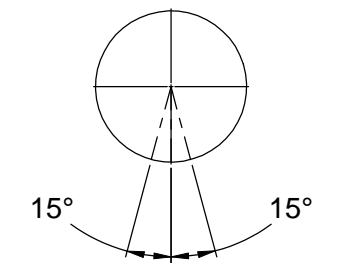
PROJECTOR SHOWN WITH 1.25-1.45:1 ZOOM LENS



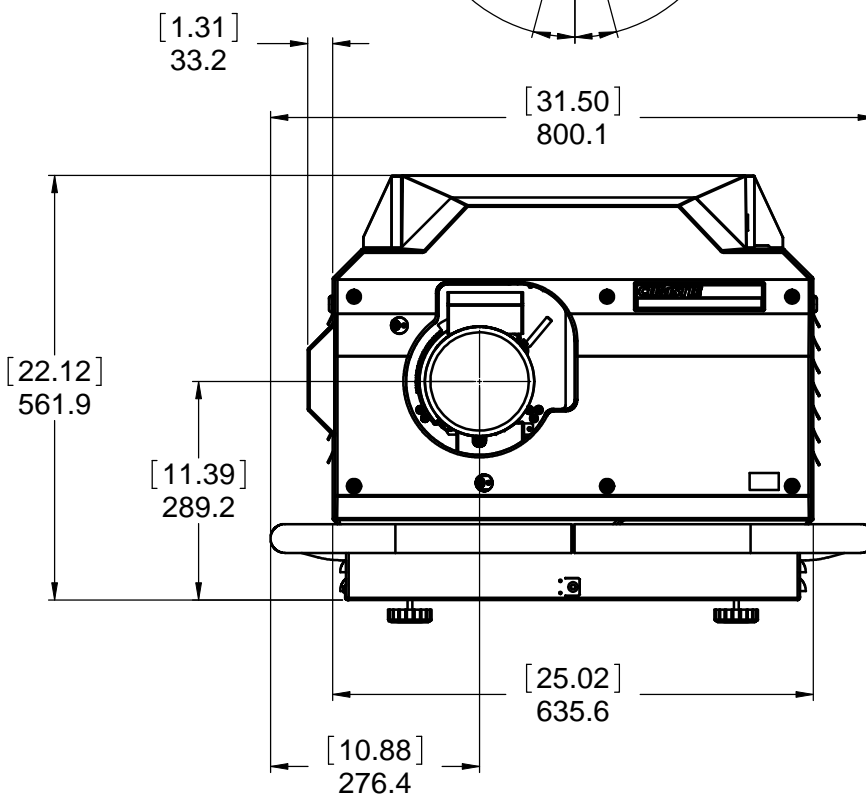
ROLL (±15°)



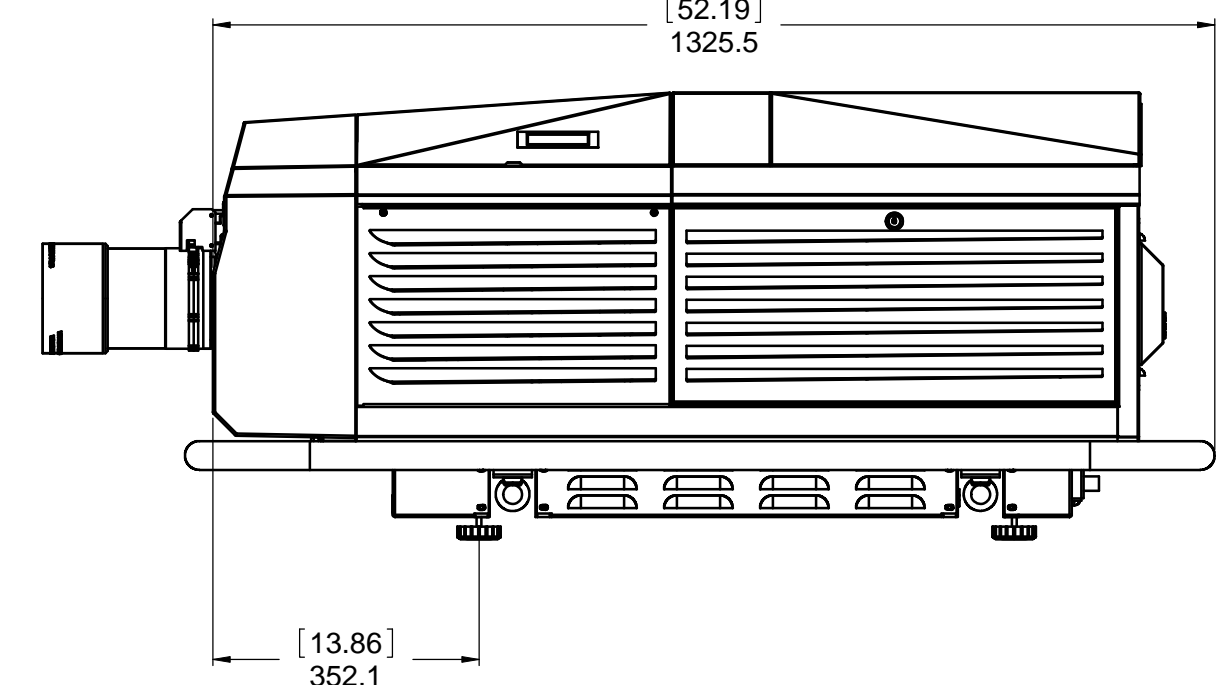
PITCH (±15°)



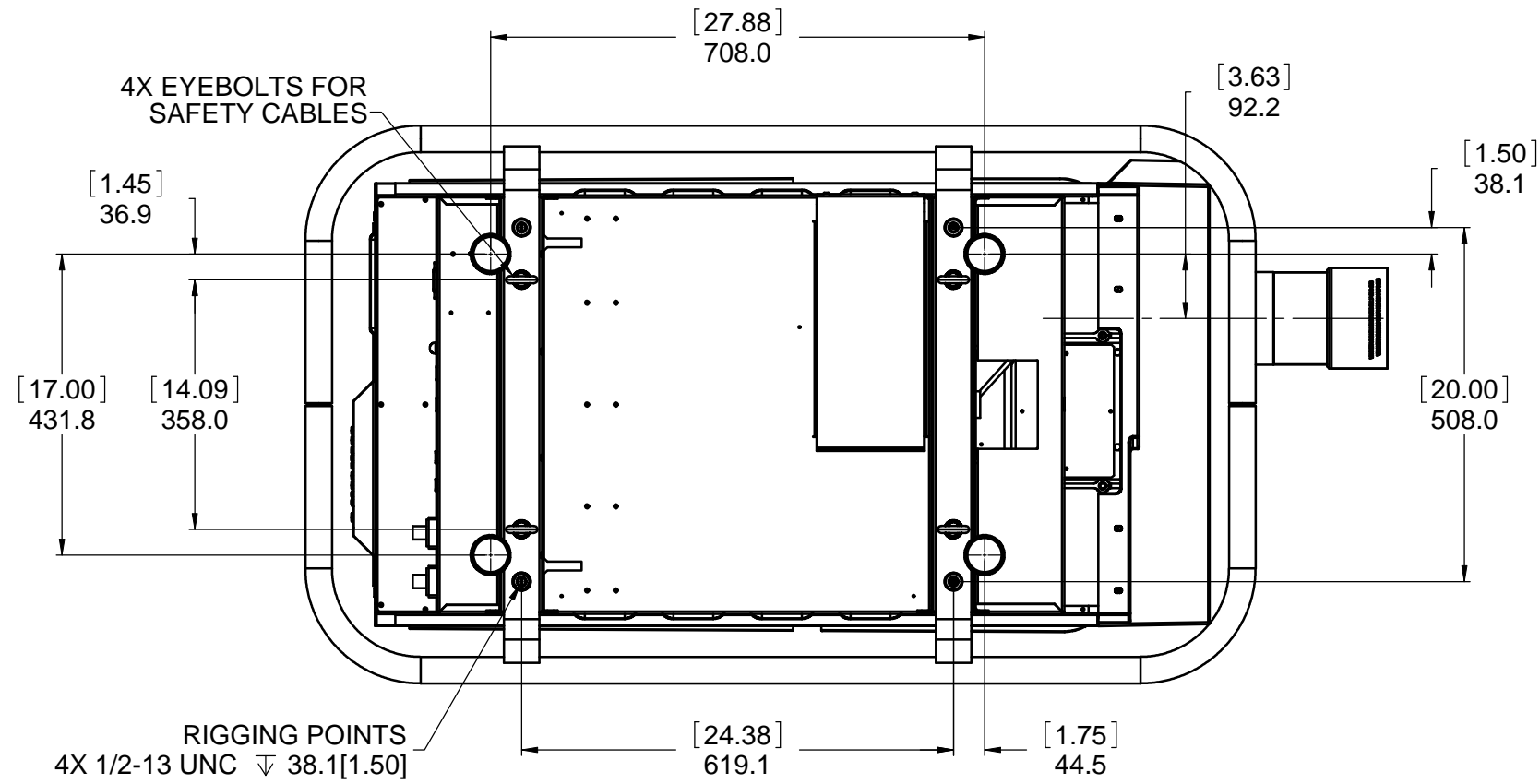
[53.64]  
1362.4



[1.31] 33.2  
[31.50] 800.1  
[22.12] 561.9  
[11.39] 289.2  
[25.02] 635.6  
[10.88] 276.4



[52.19]  
1325.5  
[13.86] 352.1



4X EYEBOLTS FOR SAFETY CABLES

[27.88] 708.0  
[3.63] 92.2  
[1.45] 36.9  
[17.00] 431.8  
[14.09] 358.0  
[20.00] 508.0  
[24.38] 619.1  
[1.75] 44.5  
RIGGING POINTS 4X 1/2-13 UNC ∇ 38.1[1.50]

GENERAL NOTES:

WEIGHTS:

PROJECTOR HEAD MASS: INSTALLED WEIGHT= 197.8kg (435lbs) NO LENS  
SHIPPING WEIGHT= 209.1kg (460lbs) NO LENS  
BALLAST MASS: INSTALLED WEIGHT= 50kg (110lbs)  
SHIPPING WEIGHT= 65.8kg (145lbs)

FRED FRAME™: INSTALLED WEIGHT= 50kg (110lbs)  
SHIPPING WEIGHT= 64kg (141lbs)

AMBIENT AIR TEMPERATURE: 35°C (149°F) MAX. OPERATING

POWER REQUIREMENTS:

PROJECTOR HEAD - SINGLE PHASE 200-240V AC, 3A max.  
MAX. POWER CONSUMPTION: 600W electrical to the head

BALLAST - 3 PHASE 200-230V AC, 24A (N. AMERICA / JAPAN)  
3 PHASE 380-415V AC, 16A (EUROPE)  
POWER CONSUMPTION: approx. 8.0kW

SYSTEM- MAX. POWER CONSUMPTION: 8.6kW

THERMAL DISSIPATION:

When using a Roadie in enclosed environments, the thermal dissipation needs to be properly planned for in order to prevent thermal shutdowns and other interlock nuisance trips

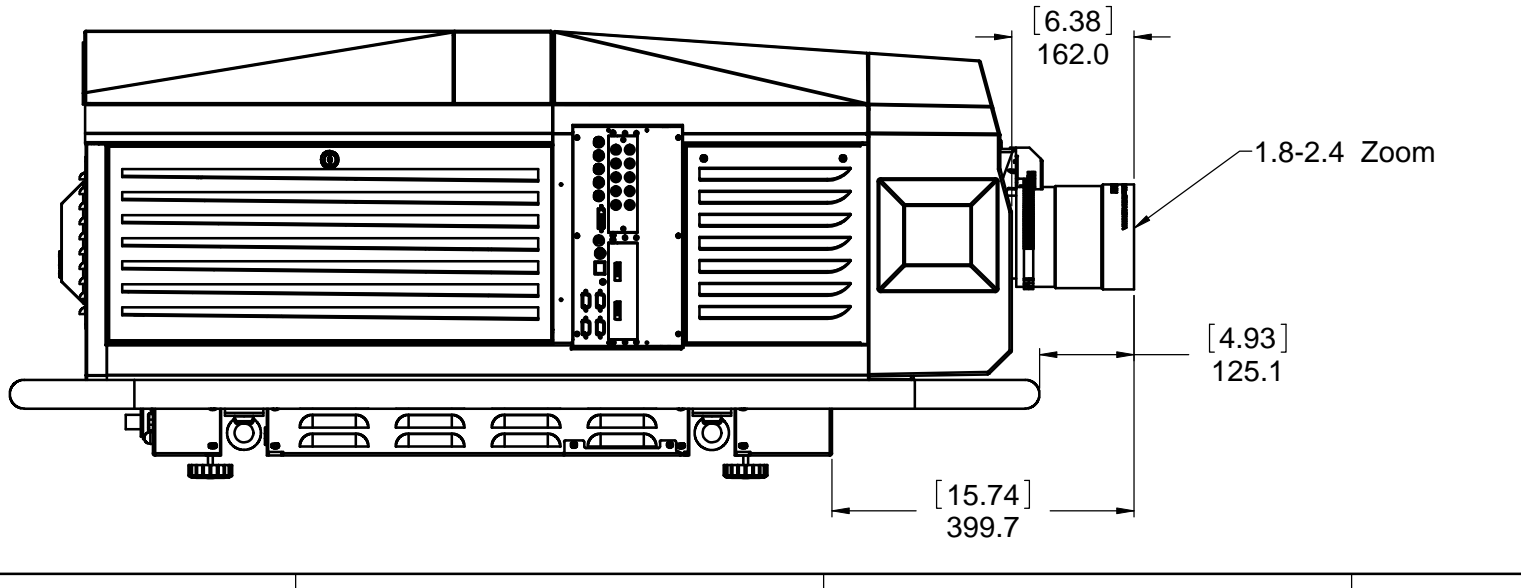
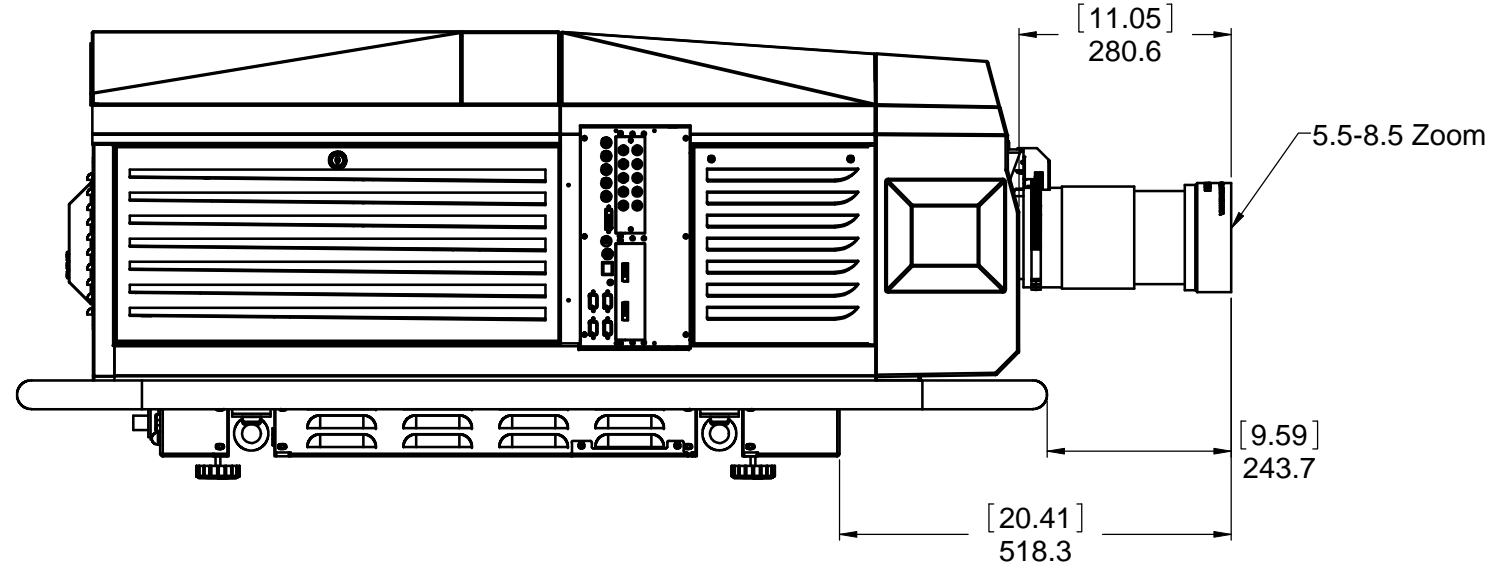
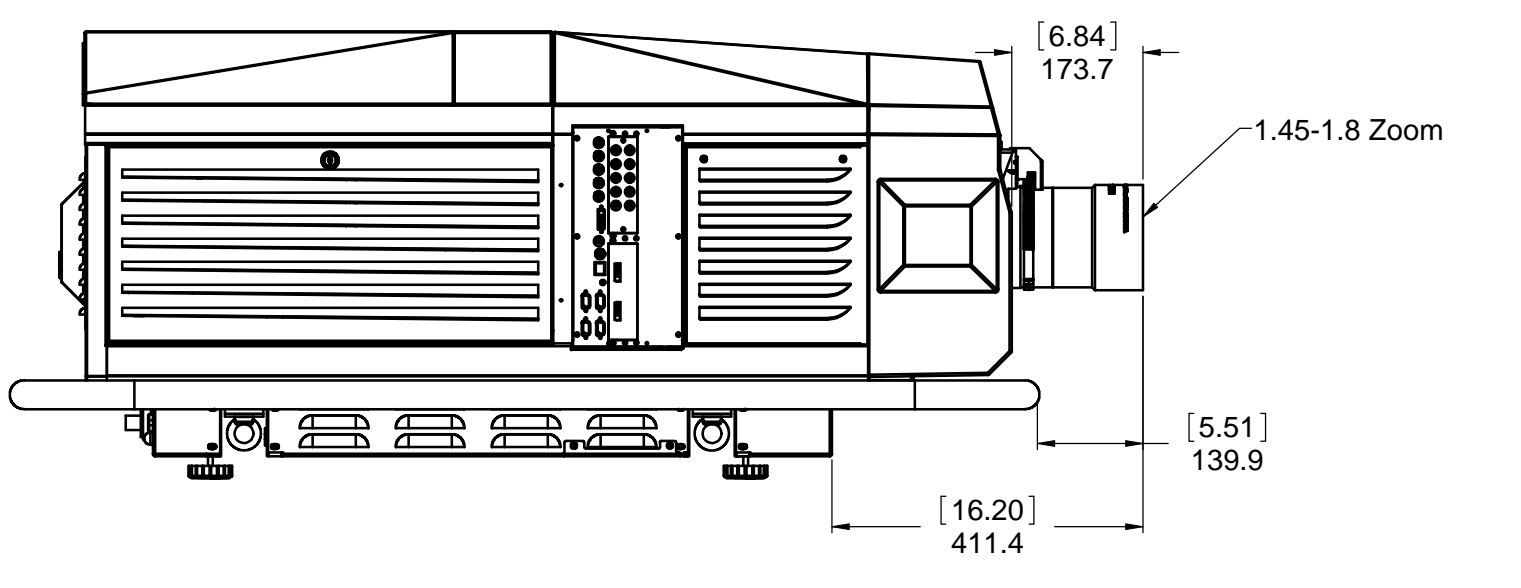
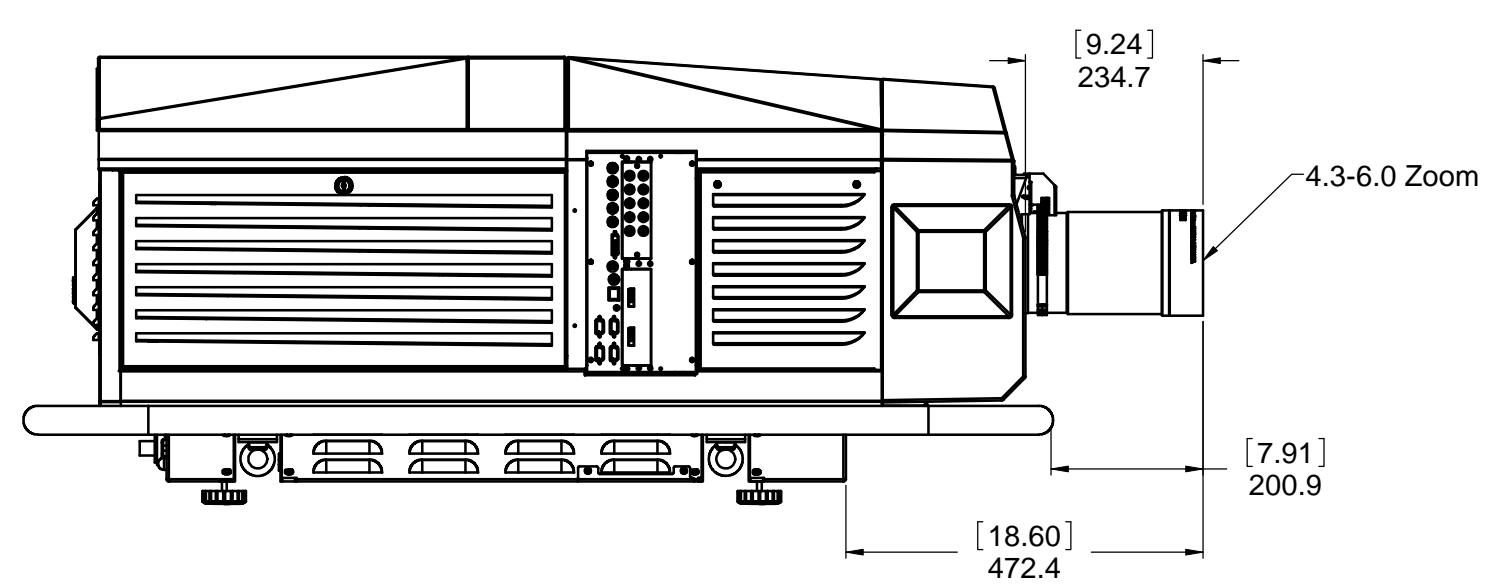
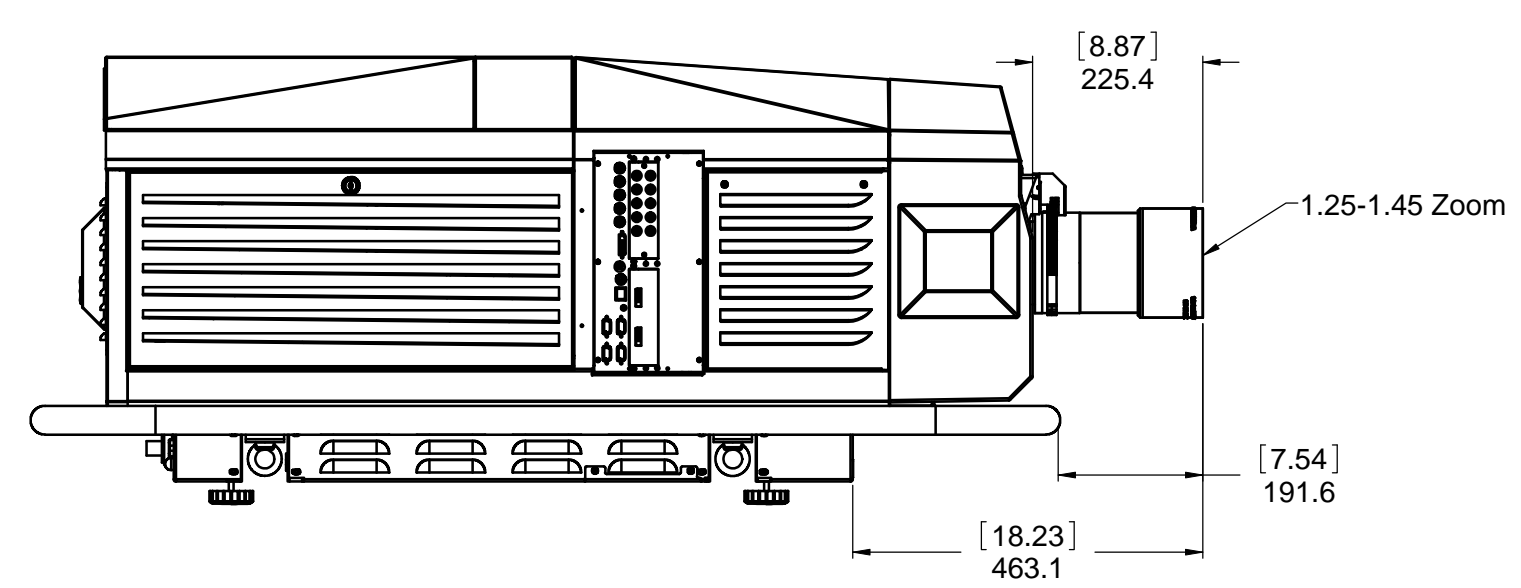
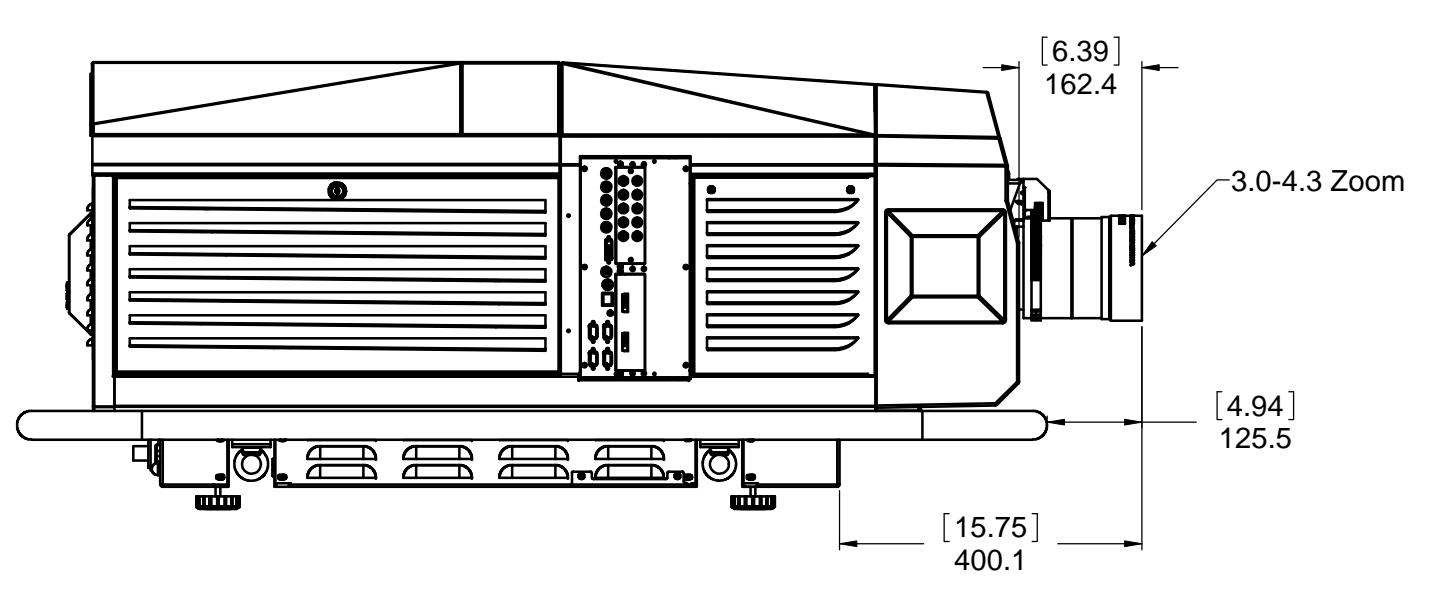
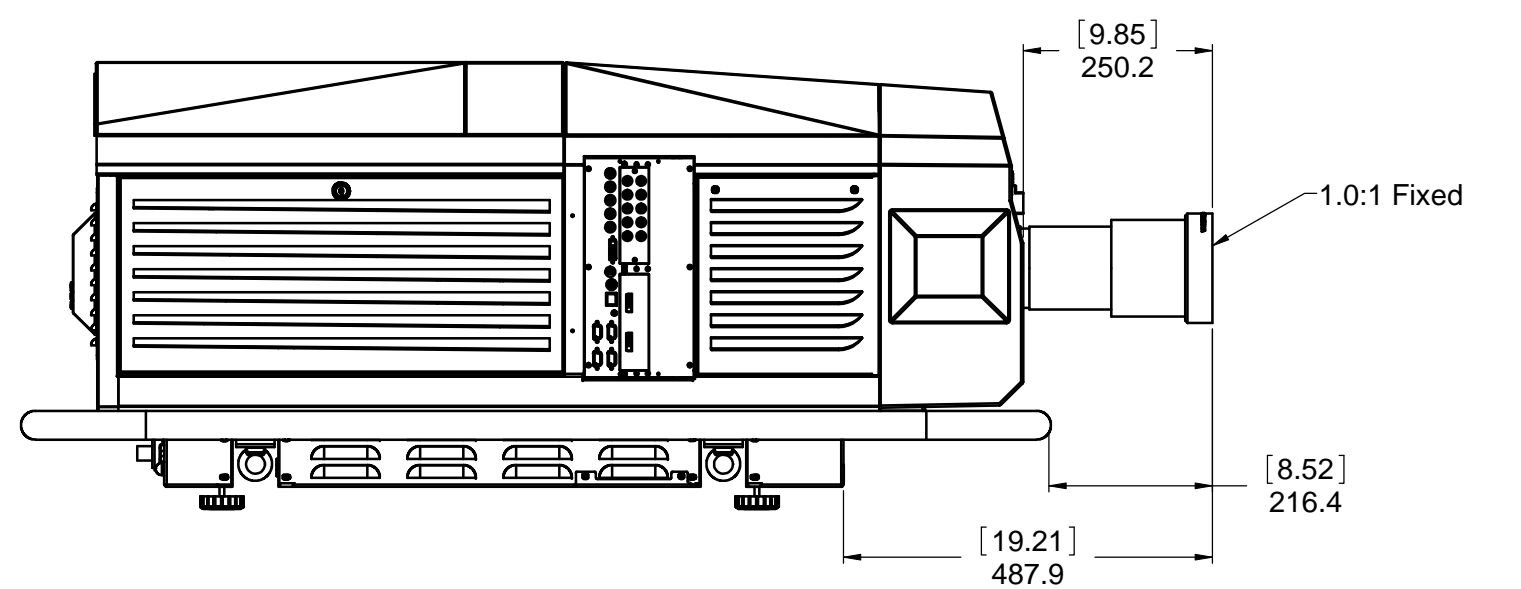
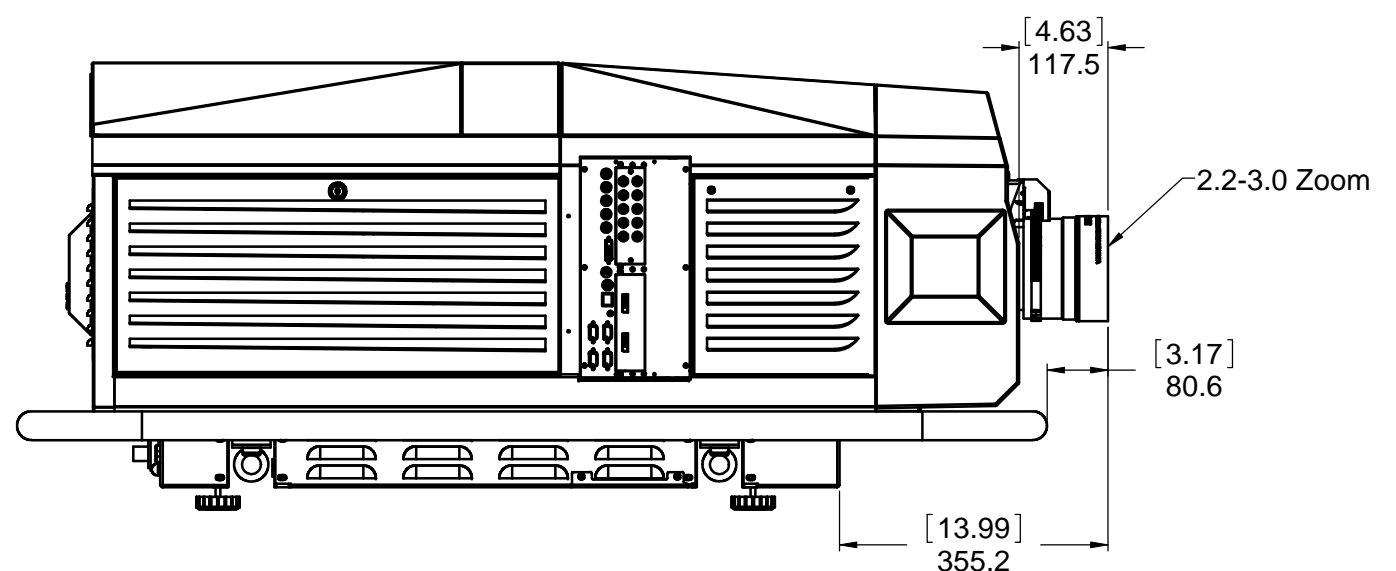
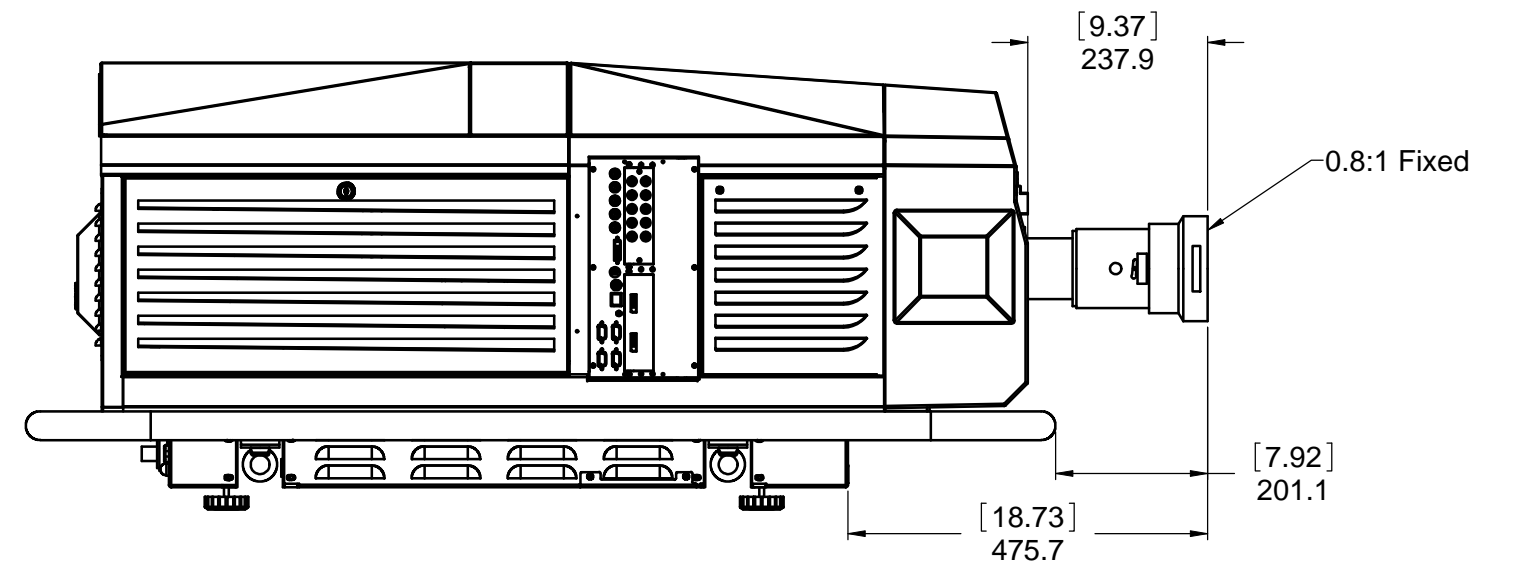
PROJECTOR HEAD - The Head dissipates 1,000W of heat from the front compartment (3,415 BTU/hr) and 6,600W of heat from the rear exhaust (22,540 BTU/hr)

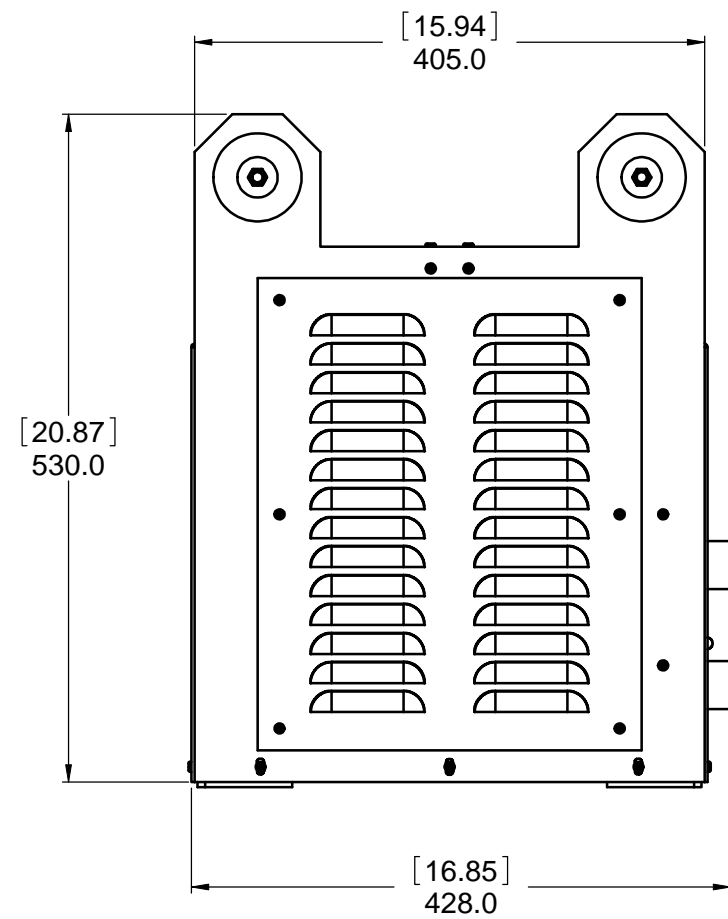
BALLAST -The Ballast dissipates 1,000W of heat from the electronics (3,415 BTU/hr)

SYSTEM- 29,370 BTU/hr MAX.

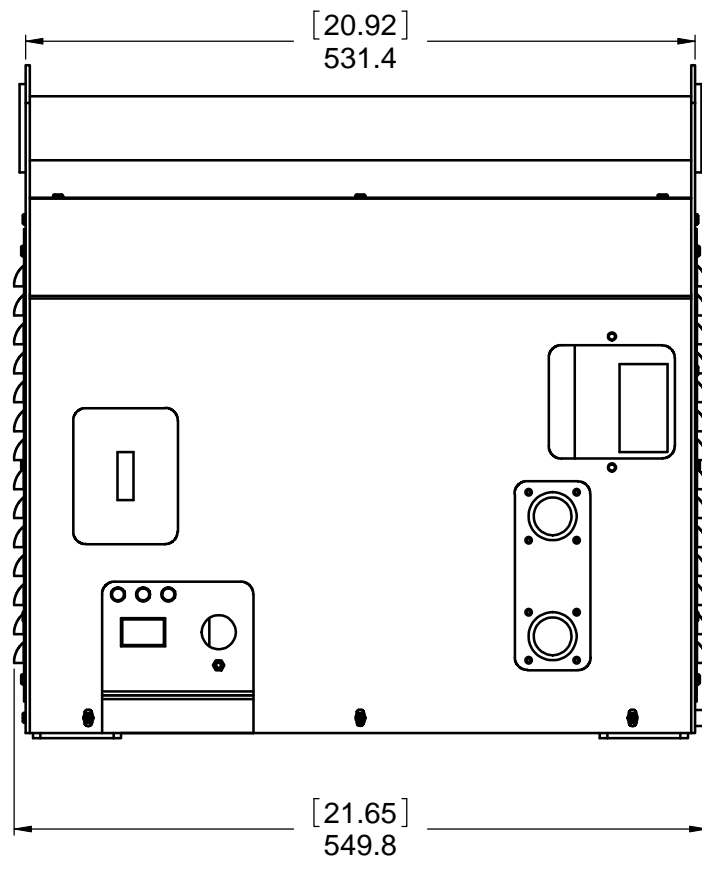
TILT ANGLE: ±15° MAX. PITCH/ROLL

UNITS: INCHES / MILLIMETRES	CAD MAINTAINED DATA CHANGES SHALL BE INCORPORATED ELECTRONICALLY	CHRISTIE DIGITAL SYSTEMS USA, INC. / CHRISTIE DIGITAL SYSTEMS CANADA, INC.
UNLESS OTHERWISE SPECIFIED INTERPRET DIMENSIONS AND TOLERANCES PER ASME Y14.5M-1994	DATE: 03/01/2007	
TOLERANCES APPLY AS SHOWN BELOW	PROPRIETARY	PART DESCRIPTION
DECIMAL PLACES: .XXX ± 0.03, .XX ± 0.13, .X ± 0.50	NOT TO BE DISCLOSED OR REPRODUCED IN ANY MANNER WITHOUT THE EXPRESS WRITTEN PERMISSION OF CHRISTIE	ROADIE HD+35K LINE DRAWING
ANGULAR DIMENSIONS: XX° ± 0.5°, XX.X° ± 0.5°	THIRD ANGLE PROJECTION	SCALE: 1:5, MASS: - LBS (- KG), SHEET 1 OF 6

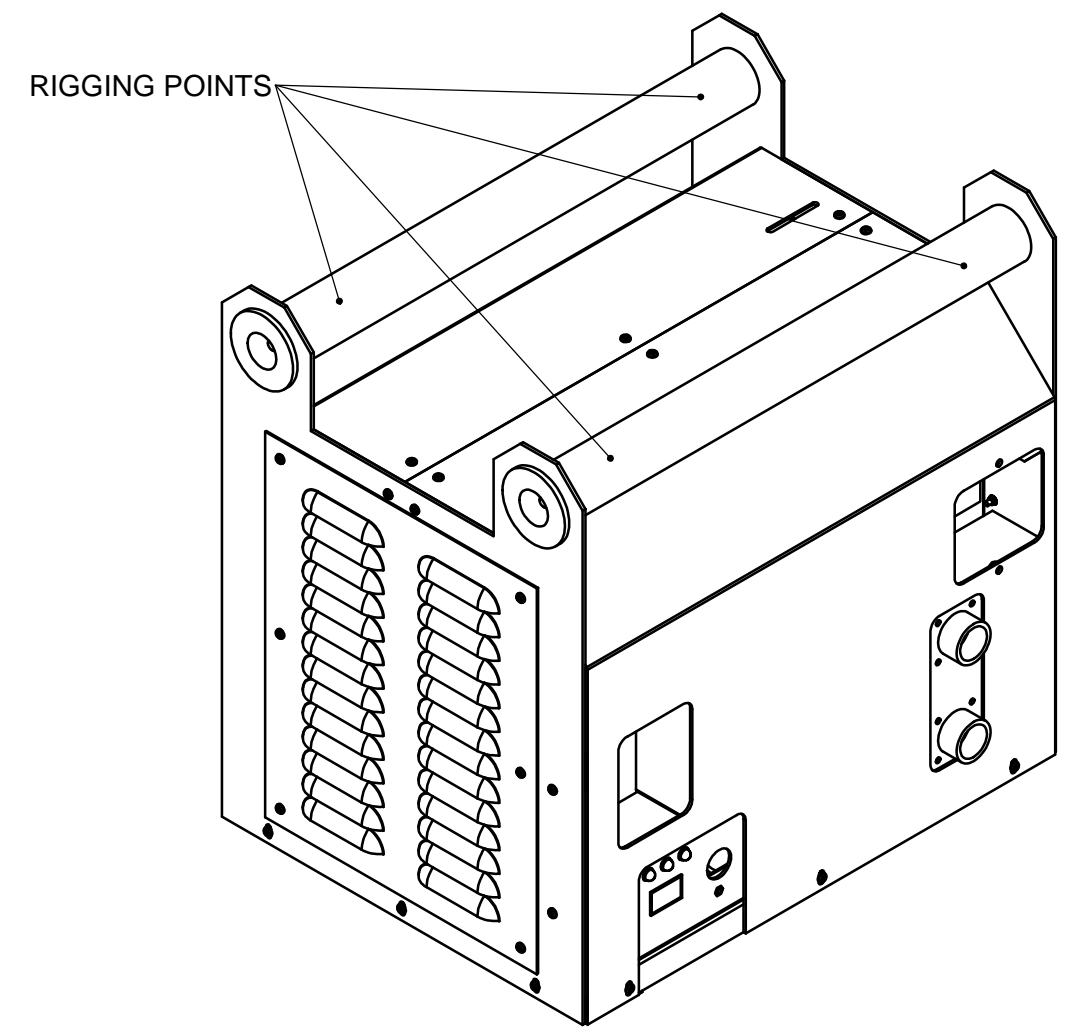




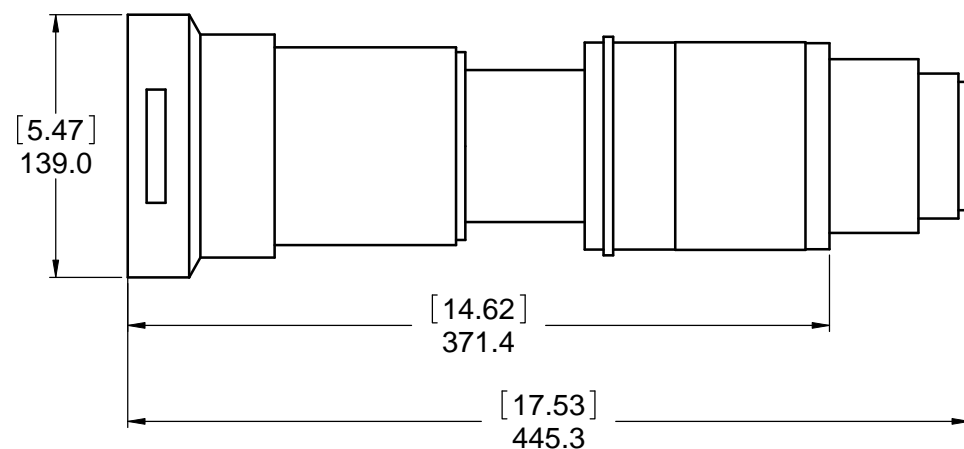
7KW SWITCHING BALLAST  
38-814001-51



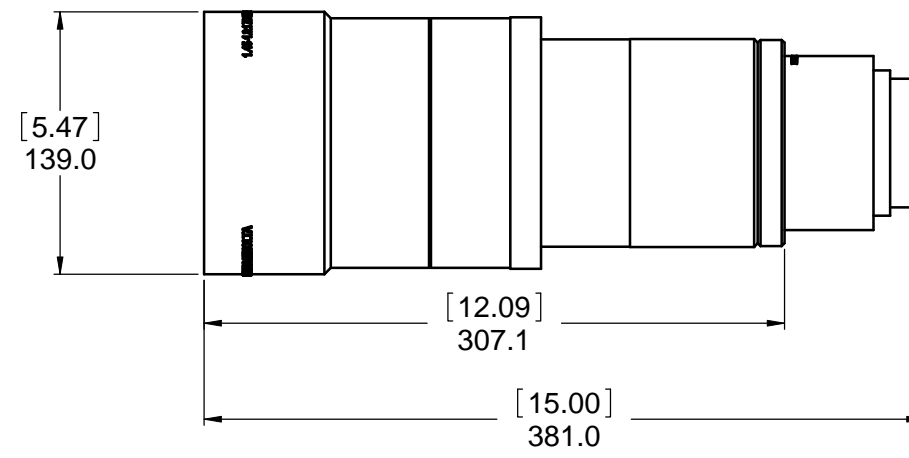
WEIGHT: 66KG (145 LB)



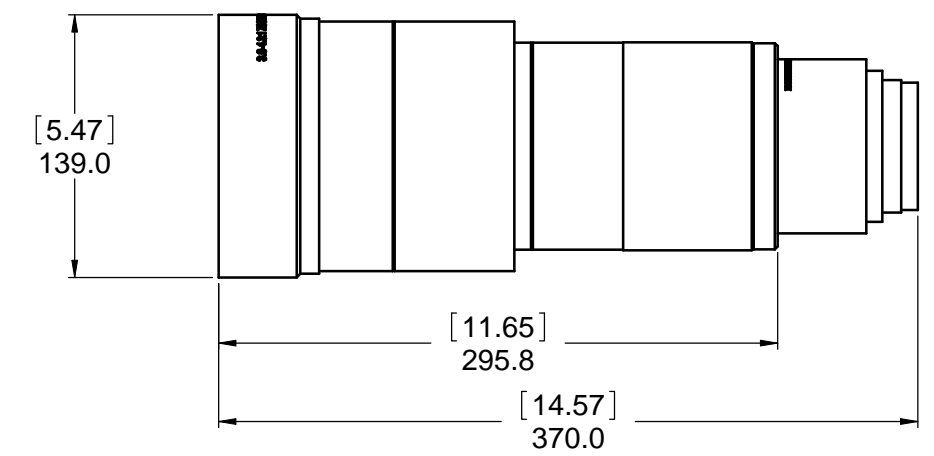
0.8:1 FIXED LENS  
113-104106-XX WEIGHT: 7KG (15.43 LB)



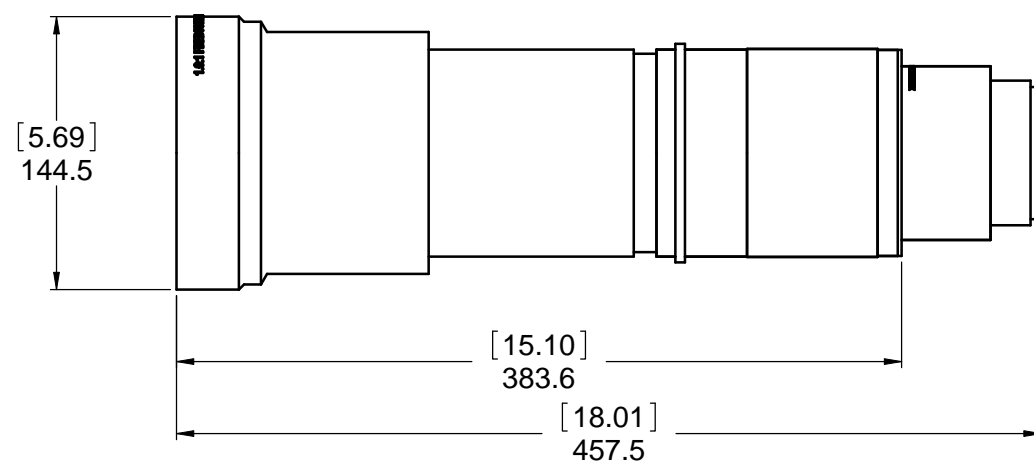
1.45-1.8:1 ZOOM LENS  
38-809074-XX WEIGHT: 7KG (15.43 LB)



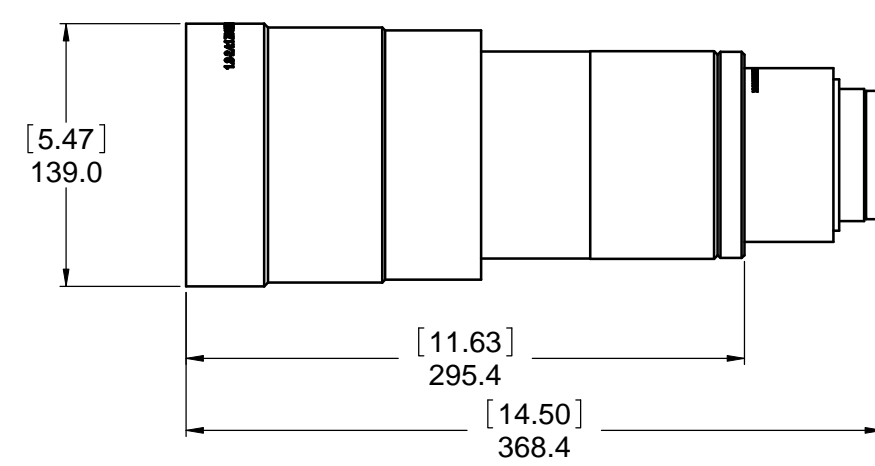
3.0-4.3:1 ZOOM LENS  
38-809077-XX WEIGHT: 7KG (15.43 LB)



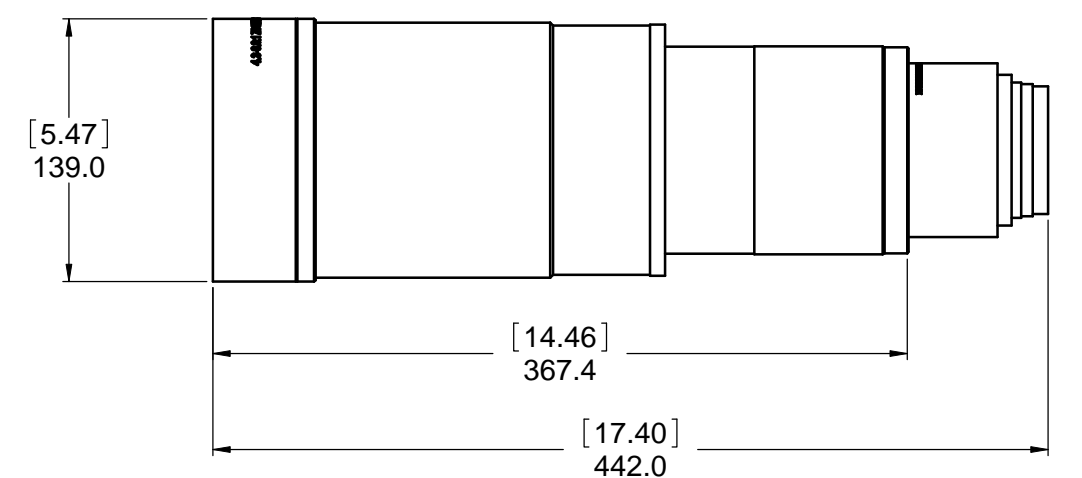
1.0:1 FIXED LENS  
38-809071-XX WEIGHT: 7KG (15.43 LB)



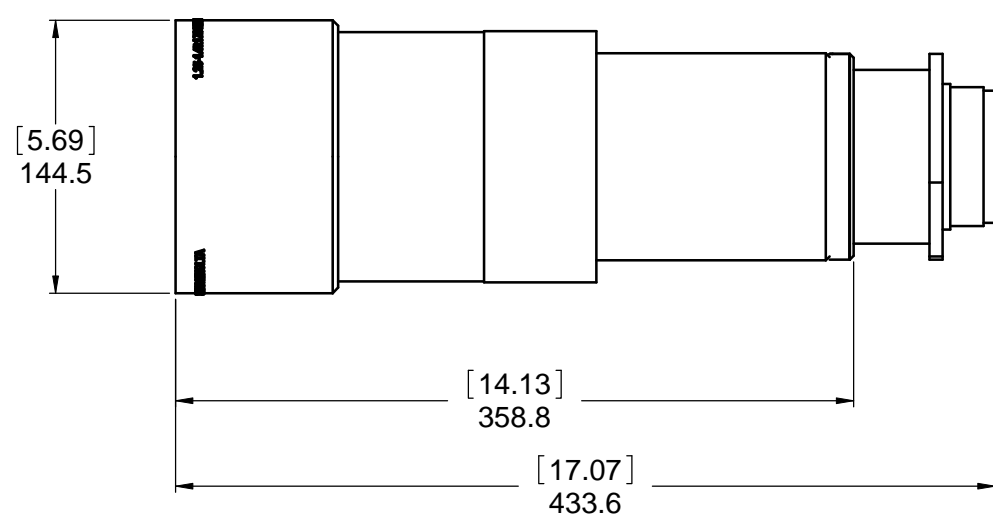
1.8-2.4:1 ZOOM LENS  
38-809075-XX WEIGHT: 7KG (15.43 LB)



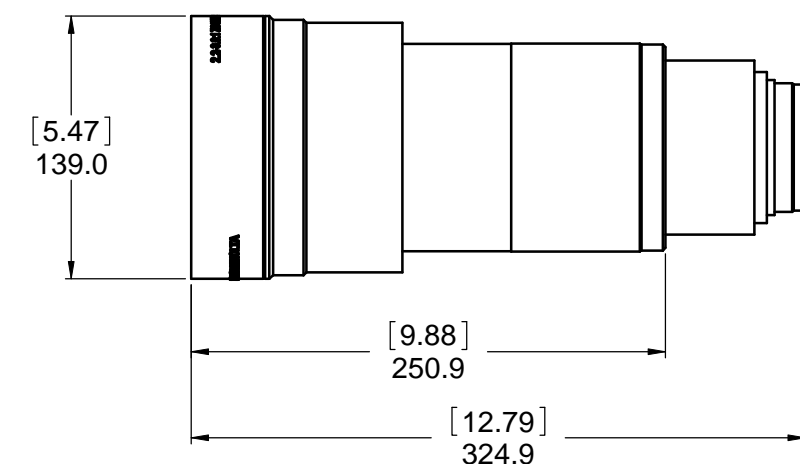
4.3-6.0:1 ZOOM LENS  
38-809072-XX WEIGHT: 8KG (17.64 LB)



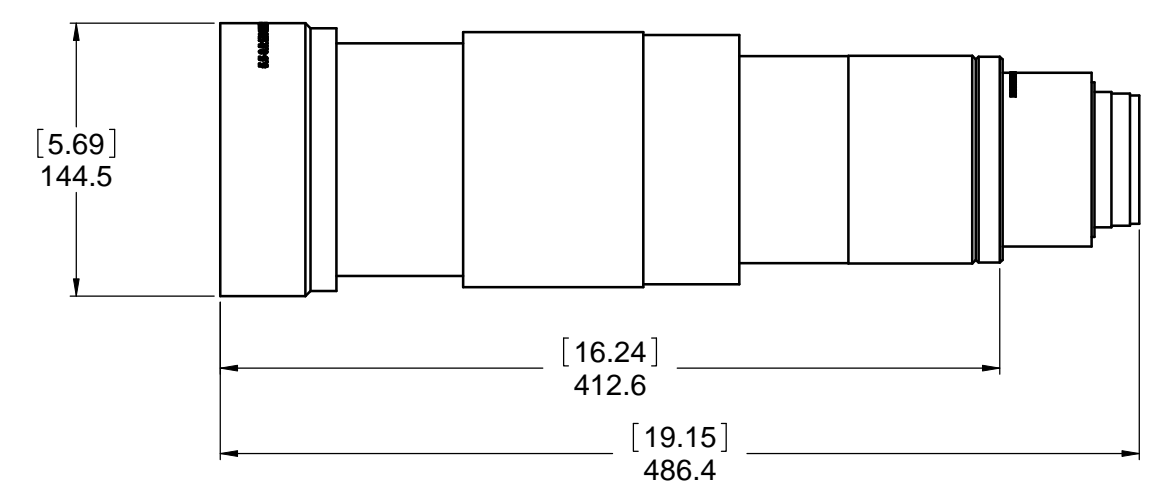
1.25-1.45:1 ZOOM LENS  
38-809073-XX1 WEIGHT: 8KG (17.64 LB)

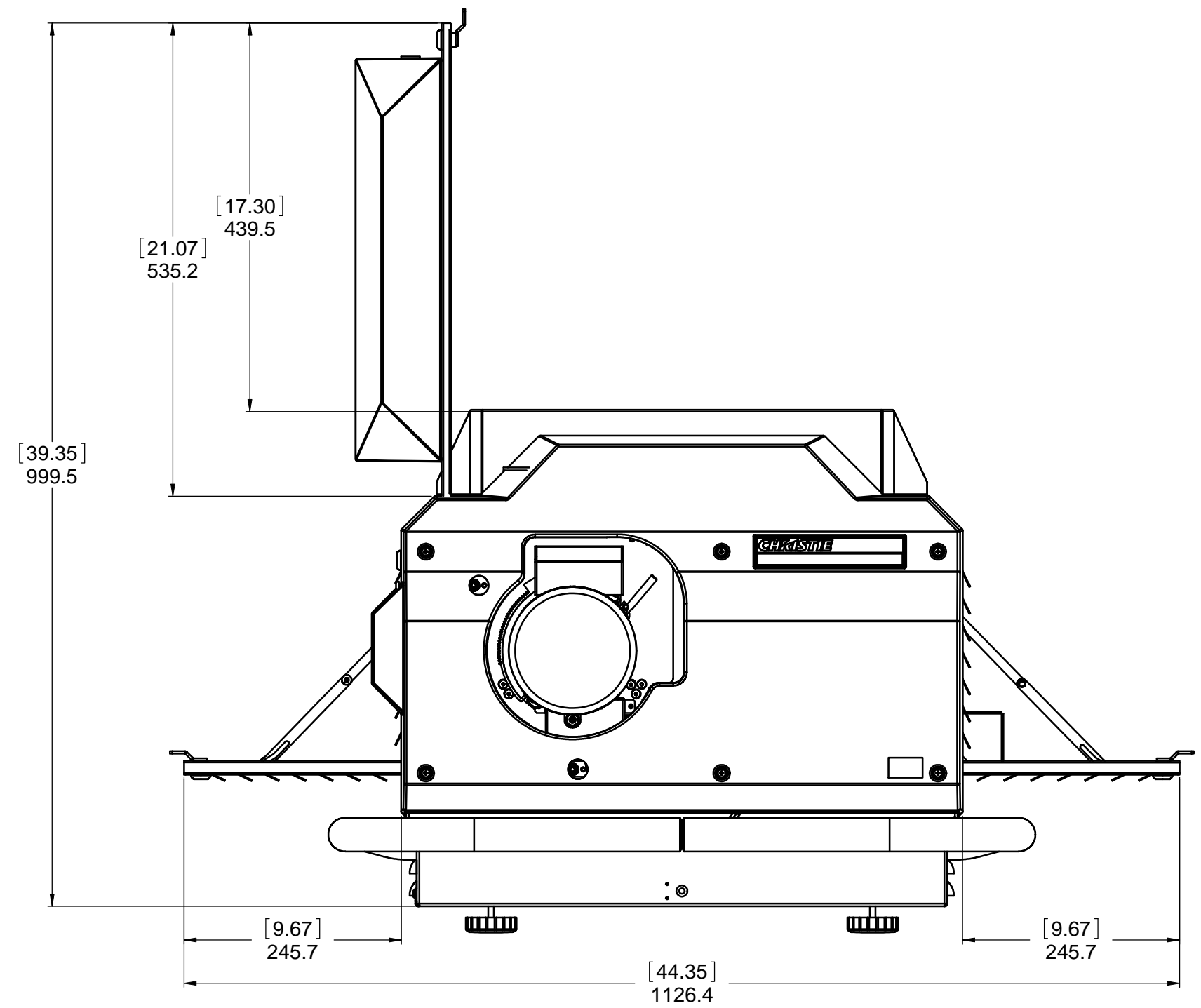
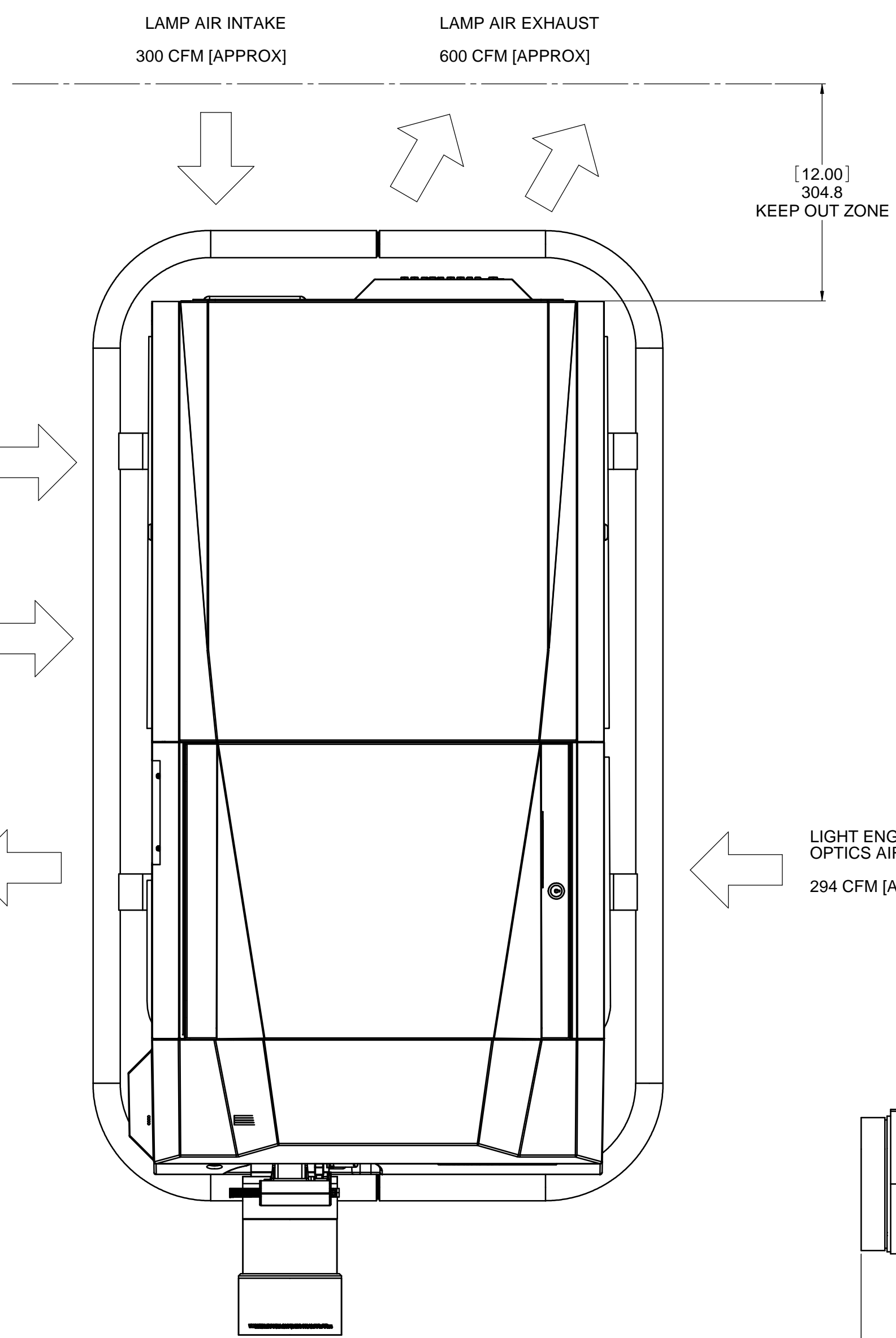


2.2-3.0:1 ZOOM LENS  
38-809076-XX WEIGHT: 7KG (15.43 LB)

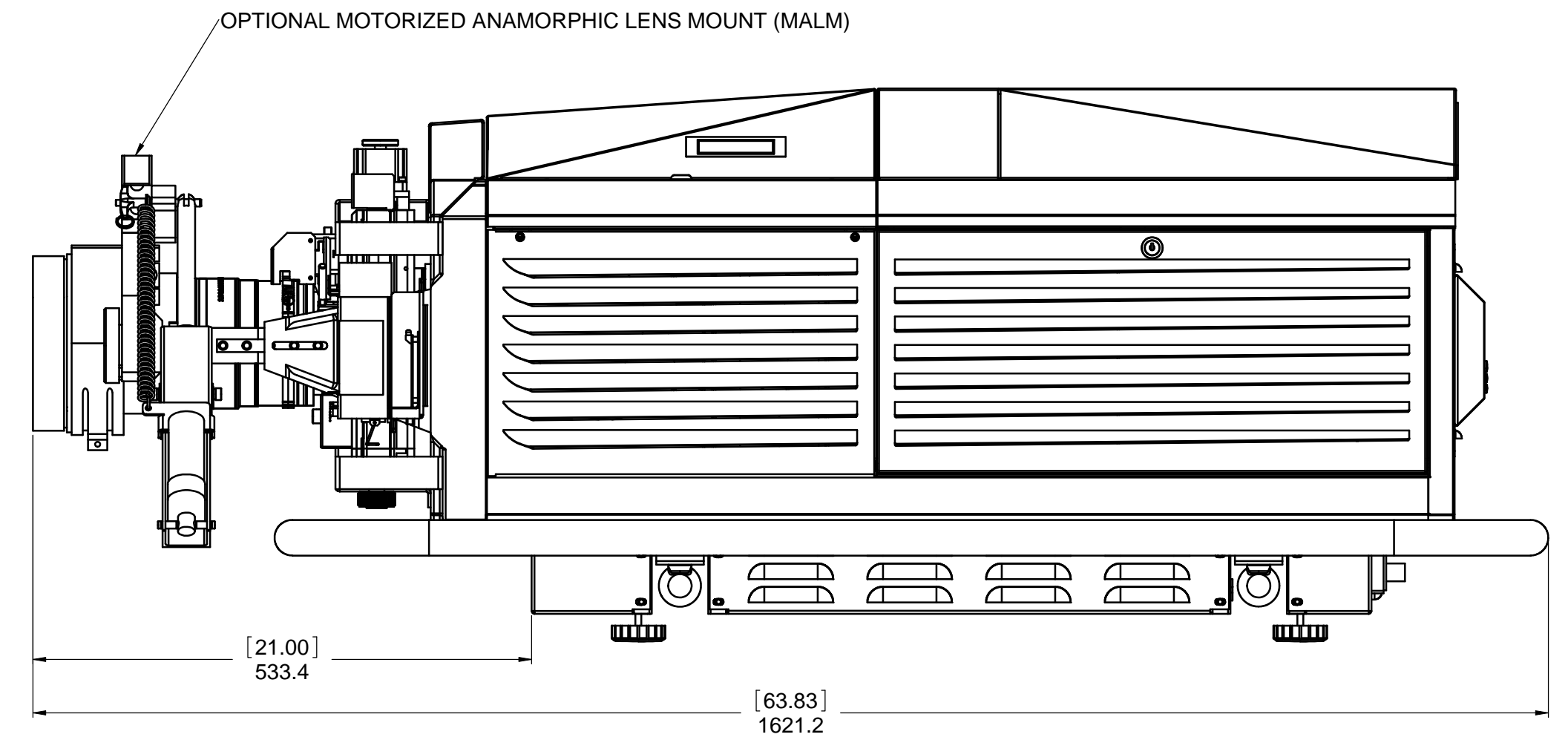
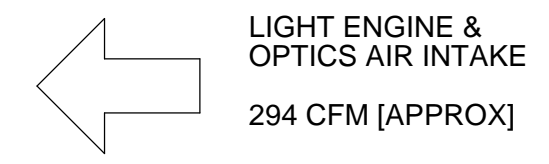


5.5-8.5:1 ZOOM LENS  
38-809078-XX WEIGHT: 9KG (19.84 LB)



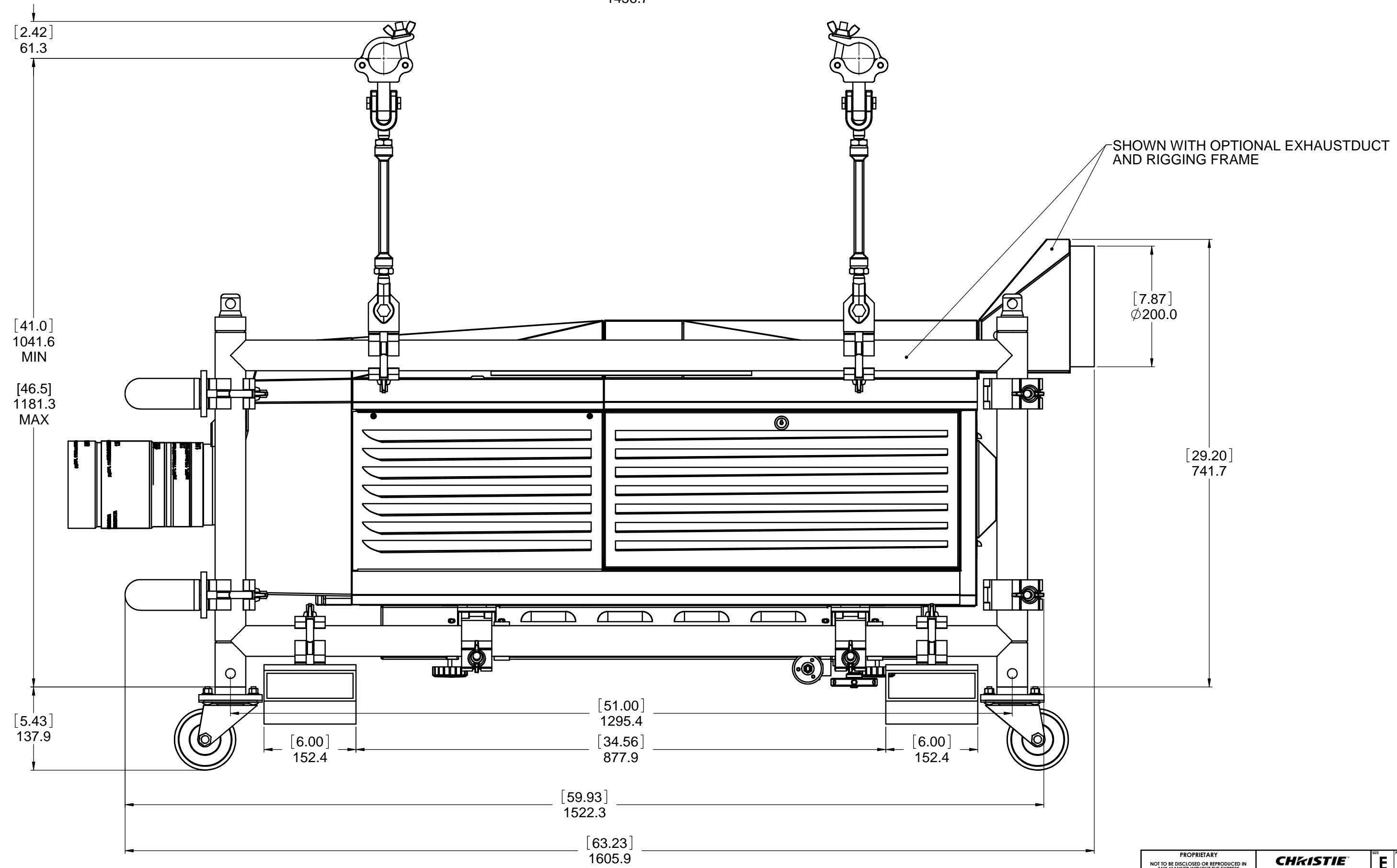
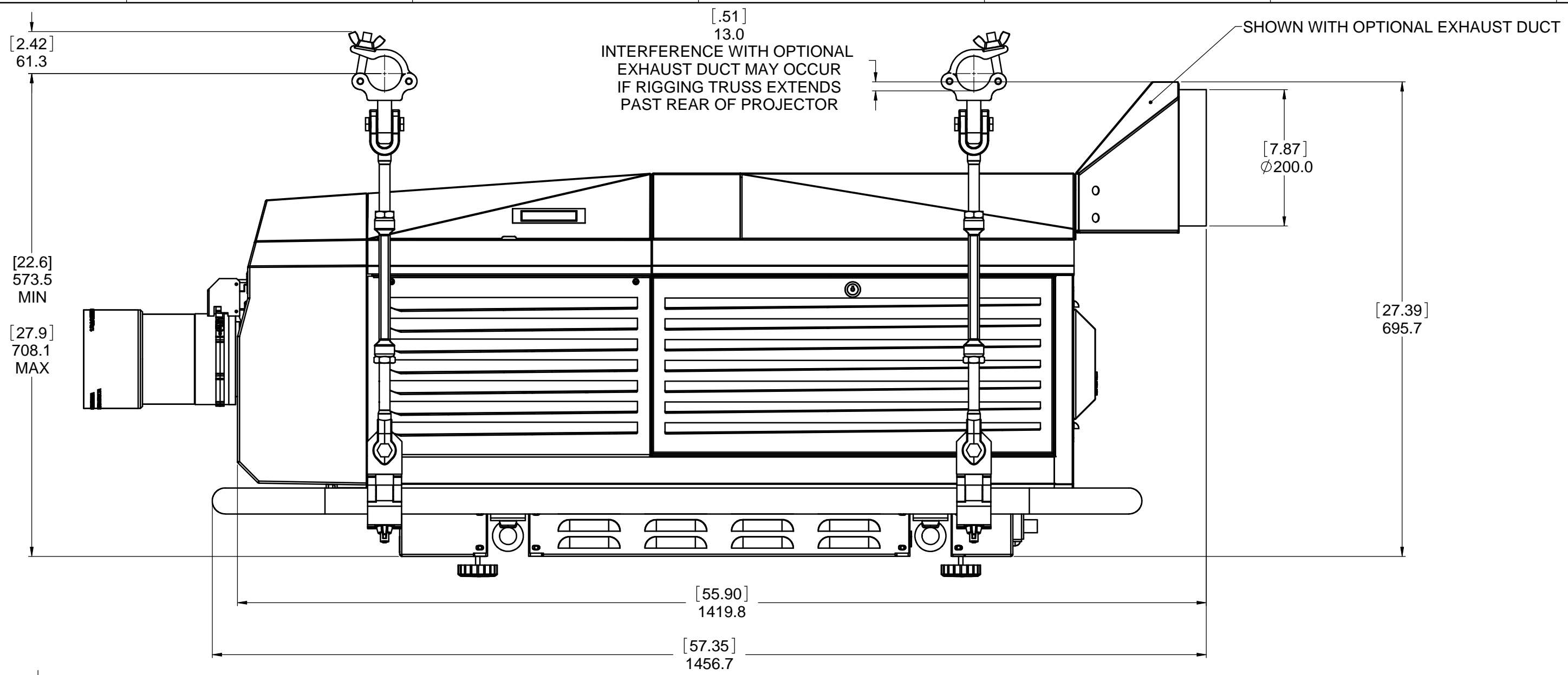


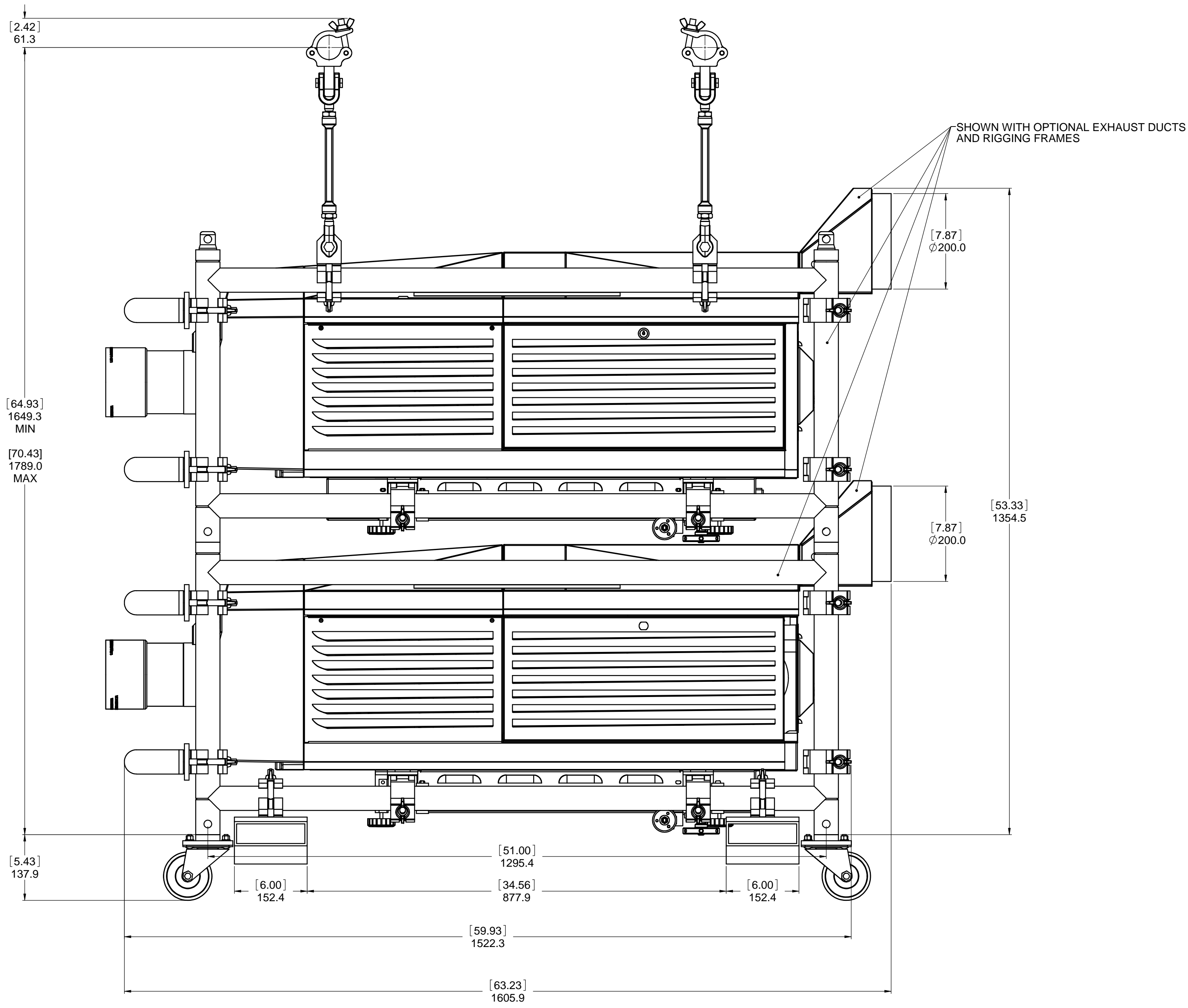
NOTE: SHOWN WITH DOORS OPEN



NOTE: SHOWN ABOVE WITH OPTIONAL MALM (FRONT COVER MUST BE REMOVED TO PERMIT MOUNTING)

THE ANAMORPHIC LENS MOUNT WORKS WITH THE FOLLOWING ZOOM LENSES: 1.45-1.8:1, 1.8-2.4:1, 2.2-3.0:1 AND 3.0-4.3:1





PROPRIETARY  
 NOT TO BE DISCLOSED OR REPRODUCED IN ANY MANNER WITHOUT THE EXPRESS WRITTEN PERMISSION OF CHRISTIE

**CHRISTIE**  
 CHRISTIE DIGITAL SYSTEMS USA, INC.  
 CHRISTIE DIGITAL SYSTEMS CANADA, INC.

E  
 SCALE: 1:3  
 MASS: - LBS (- KG)  
 SHEET 4 OF 6

020-100371-01 03